

APPLICATION:

PRODUCT NAME:

8" C/C BACKSPLASH MOUNT  
CONTROL VALVE

JOB NAME:

SPECIAL CONFIGURATION  
 CHECK BASE MODEL AND OPTIONS

QUANTITY:

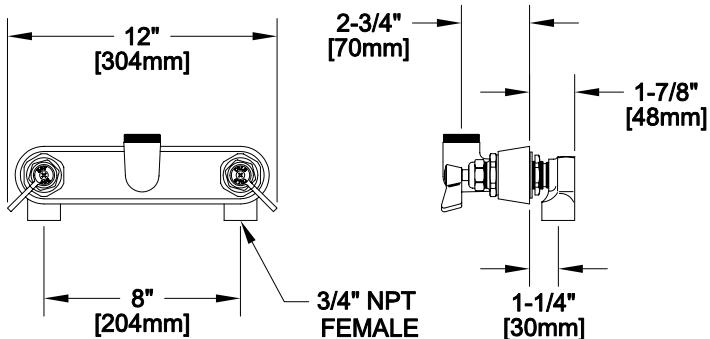
ITEM NO.

MODEL:

■ 5400

OPTIONS OR MODIFICATIONS:

HANDLES (CROSS OR WRIST) CIRCLE STYLE  
 VANDAL RESISTANT KIT  
 OTHER \_\_\_\_\_



FEATURES

CONTROL VALVE

- \* 8" BACKSPLASH MOUNT
- \* SWIVEL OUTLET
- \* SWIVELLING SEAT DISKS
- \* HOT SIDE STEM - RIGHT HAND
- \* COLD SIDE STEM - LEFT HAND
- \* STAINLESS STEEL SEATS
- \* STAINLESS STEEL SEAT SCREWS
- \* STAINLESS STEEL HANDLE SCREWS
- \* CLOSE ELBOWS

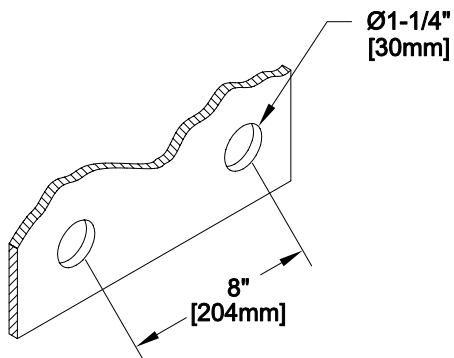
SYSTEM LIMITS

- \* TEMP: 40°F MIN. TO 140°F MAX.
- \* PRESSURE: 200 PSI MAX. STATIC
- \* 37 GPM AT 80 PSI

SHIPPING WEIGHT

- \* 7.0 LBS

ROUGH-IN:



ANSI/A112.18.1M

# FISHER

FISHER MANUFACTURING COMPANY

TOLL FREE: 800-421-6162 - FAX: 800-832-8238

information@fisher-mfg.com - www.fisher-mfg.com